

LATHAM INTERNATIONAL

ONLY COMPLETE AND LEGIBLE ORDERS CAN BE PROCESSED

SHIPPING INSTRUCTIONS

BRANCH DEALER

COMMON CARRIER

VIA _____

AIR FREIGHT _____ DAY

OTHER _____

BRANCH _____

P.O. # _____

SHIPPING ADDRESS _____ BRANCH DEALER

NAME _____

STREET _____

CITY/STATE _____

PHONE # _____ ZIP _____

BRANCH E-MAIL _____

DATE _____ DEALER P.O.# _____

DEALER NAME _____

STREET _____

CITY/STATE _____

PHONE # _____ ZIP _____

DEALER FAX # _____

MARK BOX HOMEOWNER _____ QUANTITY ORDERED

DEALER E-MAIL _____

TRU-TILE: YES NO

GIVE DIMENSIONS FROM TOP OF WALL PANEL

COLOR BEAD: TRU-TILE ONLY

BLUE

GRAY

WHITE

WALL: 20 MIL

27 MIL

38 MIL

BOTTOM: 20 MIL

27 MIL

VINYL TILE/ WALL PATTERN _____

BOTTOM BEAD

TYPE (SEE FORM 06BEADLNR) _____

DIMENSIONS	
FEET	INCHES
A	
B	
B1	
C	
D	
E	
F	
G	
H	
J	
K	
L	
M	
N	
N1	
S	
S1	
V	
W	
X	
Y	
Z	
J2	
J3	
J4	
DIAG #1	
DIAG #2	

OVERLAP _____ " (INCHES)

WHITE STRIPE: YES NO

1.) New installation

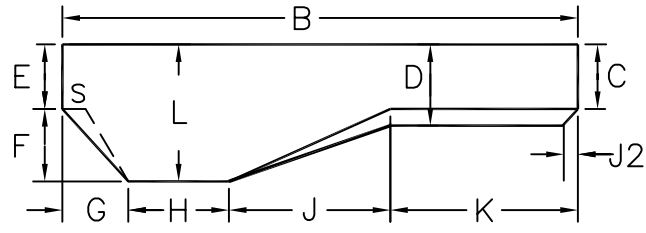
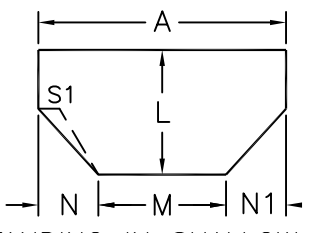
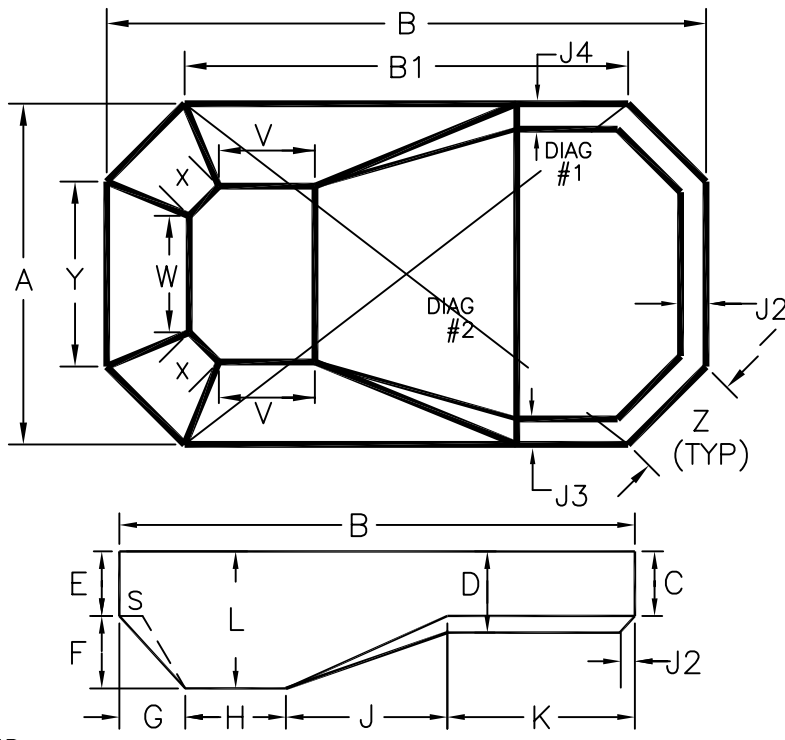
2.) Replacement

PERIMETER _____

GRECIAN PAD

SQUARE PAD

GRECIAN W/SHALLOW END COVE

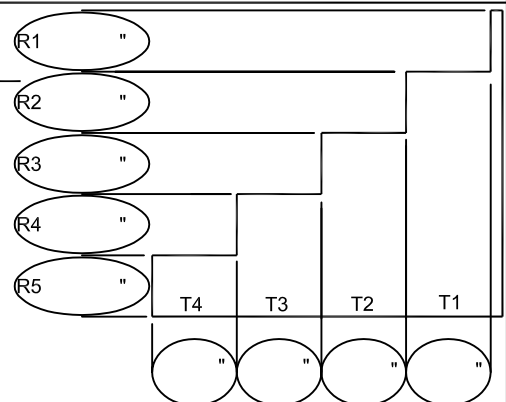


COMMENTS:

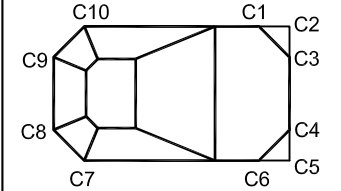
STEPS WILL BE MADE PLAIN WHITE/BLUE UNLESS SPECIFIED

STEP OPTIONS - STEPS PLAIN WHITE BLUE BOTTOM MATL. TEXTURED

STEP WIDTH 8'-0" POLYMER STEEL RADIUS STRAIGHT



STEP LOCATION: CENTER OF SHALLOW END OTHER (DRAW LOCATION)



STEP (top view)

