

LATHAM INTERNATIONAL

ONLY COMPLETE AND LEGIBLE ORDERS CAN BE PROCESSED

SHIPPING INSTRUCTIONS

BRANCH DEALER
 COMMON CARRIER
 VIA _____
 AIR FREIGHT _____ DAY
 OTHER _____

BRANCH _____
 P.O. # _____
 SHIPPING ADDRESS _____ BRANCH DEALER
 NAME _____
 STREET _____
 CITY/STATE _____
 PHONE # _____ ZIP _____
 BRANCH E-MAIL _____

DATE _____ DEALER P.O.# _____
 DEALER NAME _____
 STREET _____
 CITY/STATE _____
 PHONE # _____ ZIP _____
 DEALER FAX # _____
 MARK BOX HOMEOWNER _____ QUANTITY ORDERED
 DEALER E-MAIL _____

SQUARE DIAGONAL RADIUS

DIAGONAL DISTANCE (INCHES) _____ RADIUS (INCHES) _____

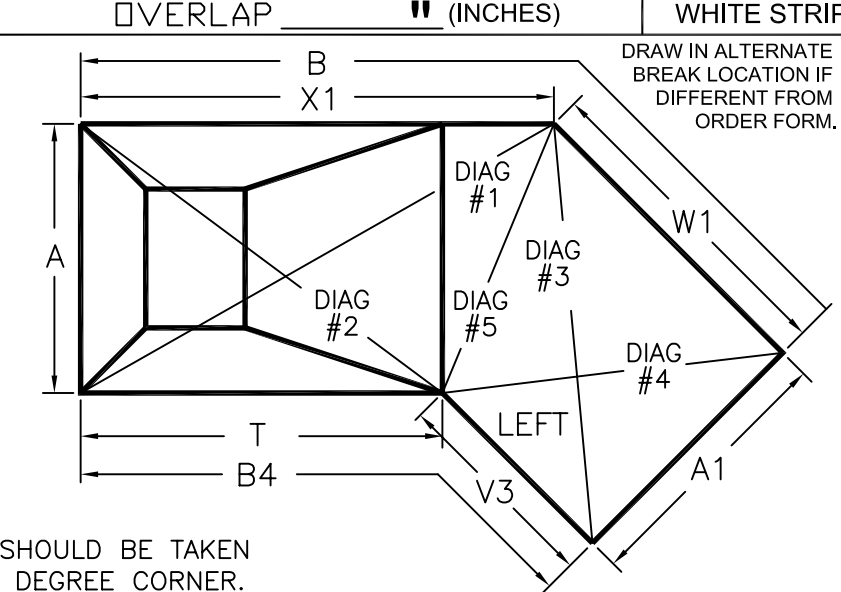
WALL: 20 MIL
 27 MIL
 38 MIL
 BOTTOM: 20 MIL
 27 MIL

VINYL TILE/ WALL PATTERN _____
 BOTTOM _____
 BEAD
 TYPE (SEE FORM 06BEADLNR) _____

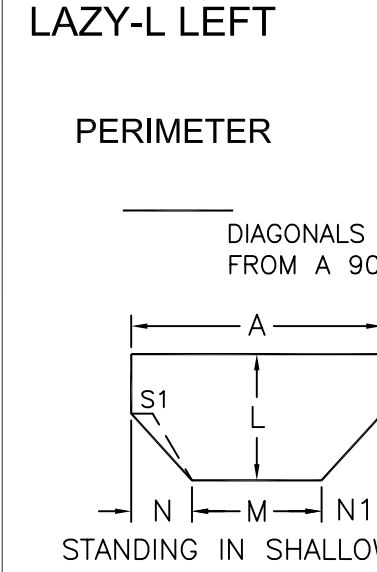
1.) New installation
 2.) Replacement

TRU-TILE: YES NO
 GIVE DIMENSIONS FROM TOP OF WALL PANEL

COLOR BEAD: TRU-TILE ONLY
 BLUE _____
 GRAY _____
 WHITE _____



DIMENSIONS	
FEET	INCHES
A	
A1	
B	
B4	
C	
D	
E	
F	
G	
H	
J	
K	
L	
M	
N	
N1	
S	
S1	
T	
V3	
W1	
X1	



COMMENTS: _____

DIAG #4 _____
 DIAG #5 _____

DIAG #1 _____
 DIAG #2 _____
 DIAG #3 _____

STEPS WILL BE MADE PLAIN WHITE/BLUE UNLESS SPECIFIED

STEP OPTIONS - STEPS PLAIN WHITE BLUE BOTTOM MATL. TEXTURED

STEP WIDTH 8'-0" POLYMER STEEL RADIUS STRAIGHT

STEP LOCATION: CENTER OF SHALLOW END OTHER (DRAW LOCATION)

STEP (top view)

