

LATHAM INTERNATIONAL

ONLY COMPLETE AND LEGIBLE ORDERS CAN BE PROCESSED

SHIPPING INSTRUCTIONS

BRANCH DEALER

COMMON CARRIER

VIA _____

AIR FREIGHT _____ DAY

OTHER _____

BRANCH _____

P.O. # _____

SHIPPING ADDRESS _____ BRANCH DEALER

NAME _____

STREET _____

CITY/STATE _____

PHONE # _____ ZIP _____

BRANCH E-MAIL _____

DATE _____ DEALER P.O.# _____

DEALER NAME _____

STREET _____

CITY/STATE _____

PHONE # _____ ZIP _____

DEALER FAX # _____

MARK BOX HOMEOWNER _____ QUANTITY ORDERED

DEALER E-MAIL _____

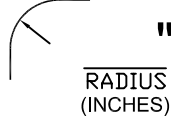
SQUARE

DIAGONAL

RADIUS



DIAGONAL DISTANCE (INCHES)



RADIUS (INCHES)

WALL: 20 MIL
27 MIL
38 MIL

BOTTOM: 20 MIL
27 MIL

VINYL TILE/ WALL PATTERN _____

BOTTOM _____

BEAD
TYPE (SEE FORM 06BEADLNR)

1.) New installation
2.) Replacement

TRU-TILE: YES NO
GIVE DIMENSIONS FROM TOP OF WALL PANEL

COLOR BEAD: TRU-TILE ONLY

BLUE

GRAY

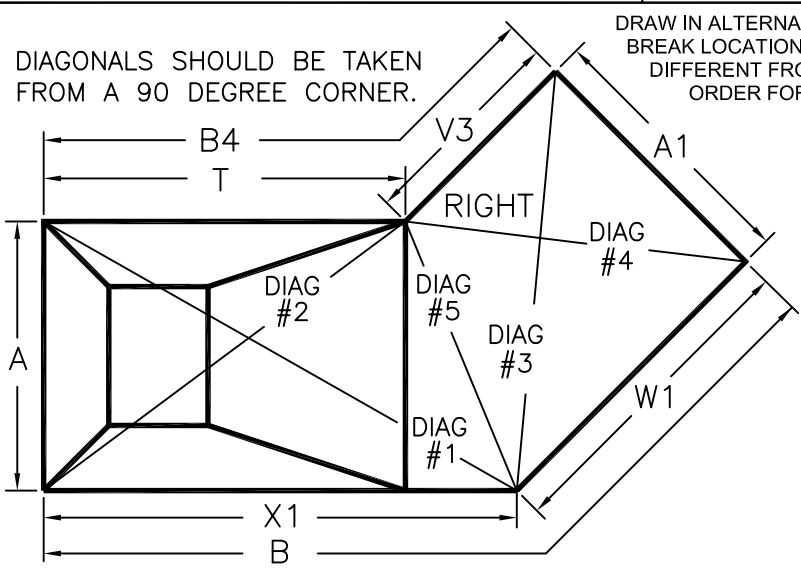
WHITE

OVERLAP _____" (INCHES)

WHITE STRIPE: YES NO

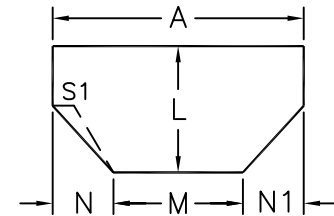
DIAGONALS SHOULD BE TAKEN FROM A 90 DEGREE CORNER.

DRAW IN ALTERNATE BREAK LOCATION IF DIFFERENT FROM ORDER FORM.

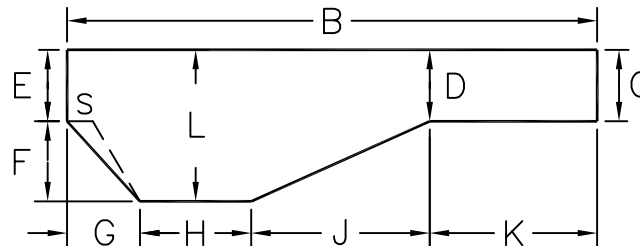


DIMENSIONS	
FEET	INCHES
A	
A1	
B	
B4	
C	
D	
E	
F	
G	
H	
J	
K	
L	
M	
N	
N1	
S	
S1	
T	
V3	
W1	
X1	

LAZY-L RIGHT PERIMETER



STANDING IN SHALLOW END



COMMENTS:

DIAG #4 _____

DIAG #5 _____

DIAG #1 _____

DIAG #2 _____

DIAG #3 _____

STEPS WILL BE MADE PLAIN WHITE/BLUE UNLESS SPECIFIED

STEP (top view)

STEP OPTIONS -STEPS PLAIN WHITE BLUE BOTTOM MATL. TEXTURED

STEP WIDTH POLYMER

8'-0" STEEL

OTHER _____ RADIUS _____

STRAIGHT

STEP LOCATION:

CENTER OF SHALLOW END

OTHER (DRAW LOCATION)

